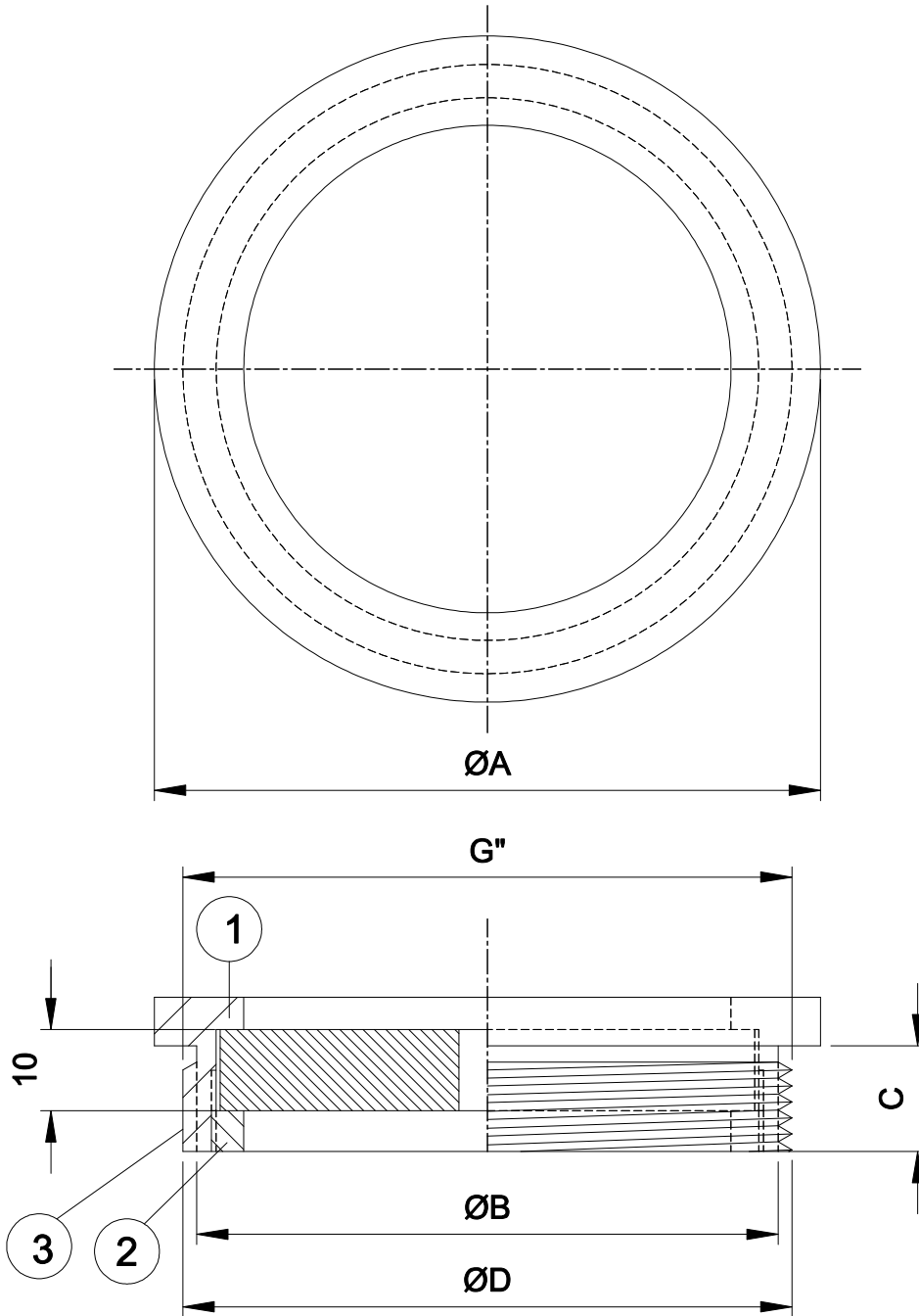

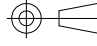


This drawing and design is protected by copyright and the information is confidential. It is also protected and registered under Dutch laws through the Dutch government department for Taxes. The drawing and/or models may not be copied, reproduced, duplicated or disclosed to others, in whole or in part without prior written consent of SEA PARTS V.O.F. / the Netherlands.

POS	DESCRIPTION	MATERIAL
1	SCREWING FRAME	BRASS
2	RETAINING RING	BRASS
3	FLAME ARRESTER	COPPER / NICKEL OR ST.st.

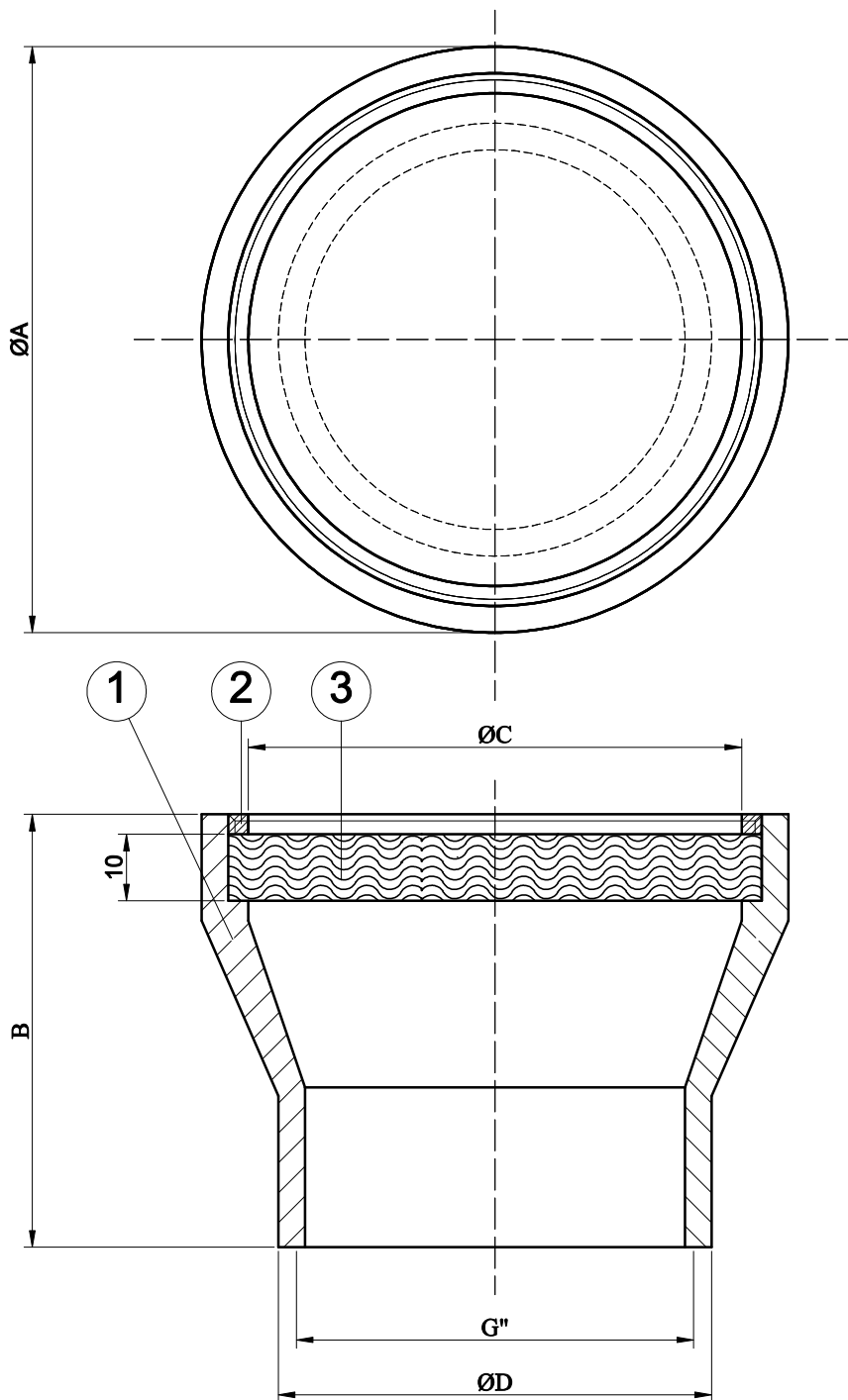


G''	1"	1"	1 1/4"	1 1/2 "	2"	2 1/2"	3"	4"
ØA	40	48	55	67	84	94	125	170
ØB	32	38	45	56	72	85	110	160
ØD	33	41	48	60	75	88	113	163
C	12	12	12	12	13	13	14	14


Name	Material :	Tolerance : ISO 2768m
	Drawn: EVV Date : 05-03-2008 Checked : JDR Date :	
REV DATE	 SEA PARTS V.O.F. 9611TH Sappemeer Molenaar 11 The Netherlands T : +31 (0) 598 361 665 F : +31 (0) 848 375 685 W : www.seaparts.nl e: info@seaparts.nl	Description :
		FLAME ARRESTER VD-H-200
	Drawing no : VD-H-200	 A4 Size in mm Page : 1 / 1

This drawing and design is protected by copyright and the information is confidential. It is also protected and registered under Dutch laws through the Dutch government department for Taxes. The drawing and/or models may not be copied, reproduced, duplicated or disclosed to others, in whole or in part without prior written consent of SEA PARTS V.O.F. / the Netherlands.

POS	DESCRIPTION	MATERIAL
1	SCREWING FRAME	BRASS
2	RETAINING RING	BRASS
3	FLAME ARRESTER	COPPER / NICKEL OR ST.st.

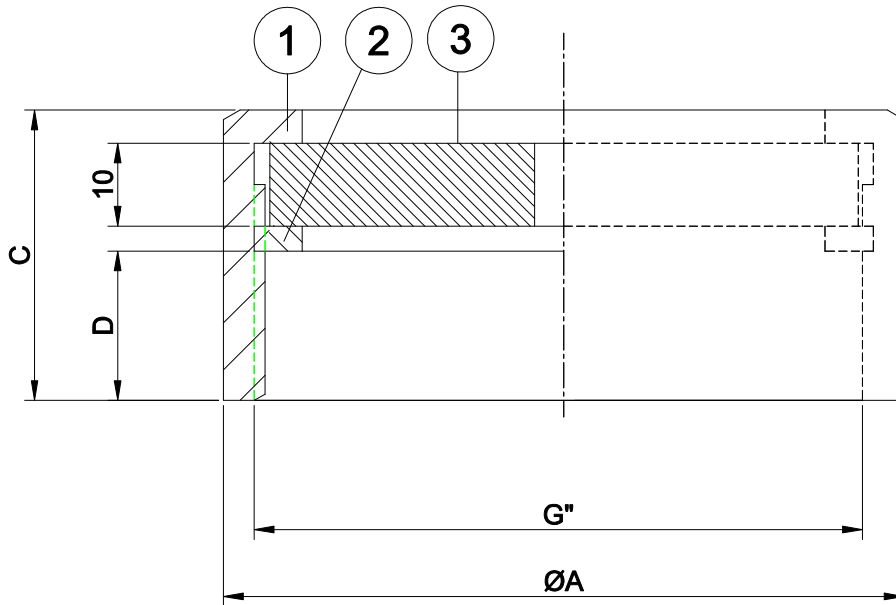
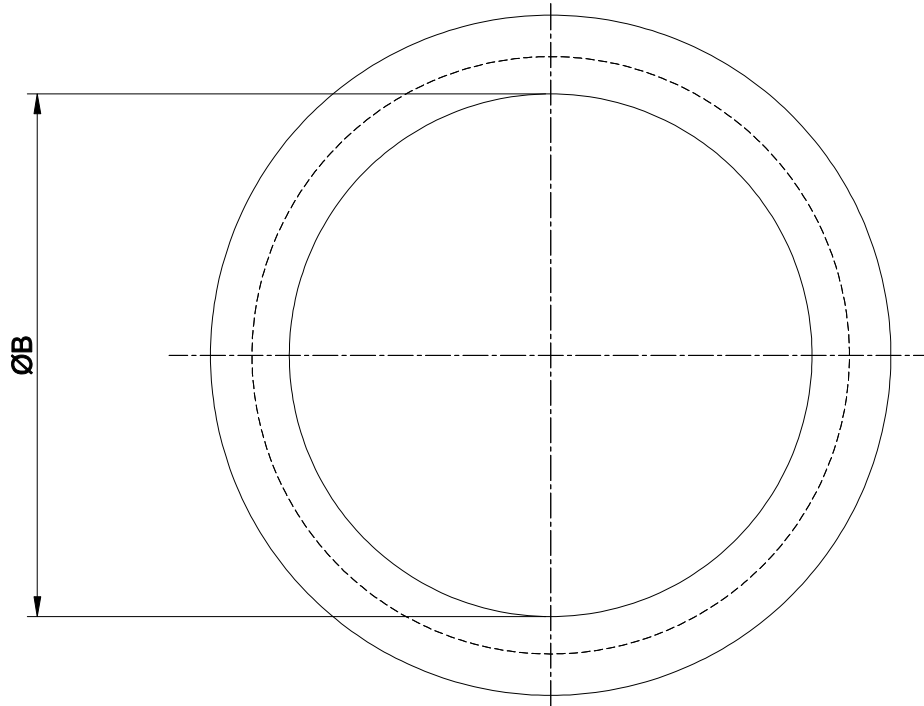


G"	1"	1 1/4"	1 1/2 "	2 "	2 1/2"	3"	4"	
ØA	77	77	88	88	118	136	167	
ØB	44	44	60	60	60	60	70	
ØD	40	47	57	65	80	91	120	
C	64	64	73	73	100	120	150	


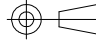
Name		Material :		Tolerance : ISO 2768m			
Drawn: EVV		Date : 05-03-2008		Checked : JDR			
Date :							
REV	DATE	 SEA PARTS V.O.F. Molenraal 11 T : +31 (0) 598 361 665 W : www.seaparts.nl		9611TH Sappemeer The Netherlands F : +31 (0) 848 375 685 e: info@seaparts.nl		Description :	
						FLAME ARRESTER VD-H-500	
				Drawing no : VD-H-500		Page : 1 / 1	

This drawing and design is protected by copyright and the information is confidential. It is also protected and registered under Dutch laws through the Dutch government department for Taxes. The drawing and/or models may not be copied, reproduced, duplicated or disclosed to others, in whole or in part without prior written consent of SEA PARTS V.O.F. / the Netherlands.

POS	DESCRIPTION	MATERIAL
1	SCREWING FRAME	BRASS
2	RETAINING RING	BRASS
3	FLAME ARRESTER	COPPER / NICKEL OR ST.st.



G"	3/4"	1"	1 1/4"	1 1/2 "	2"	2 1/2"	3"	4"
ØA	30	39	47	53	64	82	94	118
ØB	19	25	32	38	48	63	74	99
ØD	9	9	9	10	13	20	22	22
C	20	21	22	23	28	35	39	39

REV	DATE	Name	Material :	Tolerance : ISO 2768m		
			Drawn: EVV	Date : 05-03-2008	Checked : JDR	Date :
REV	DATE	Name			Description : FLAME ARRESTER VD-H-700	 A4
			SEA PARTS V.O.F. Molenaar 11 T : +31 (0) 598 361 665 W : www.seaparts.nl	9611TH Sappemeer The Netherlands F : +31 (0) 848 375 685 e: info@seaparts.nl		