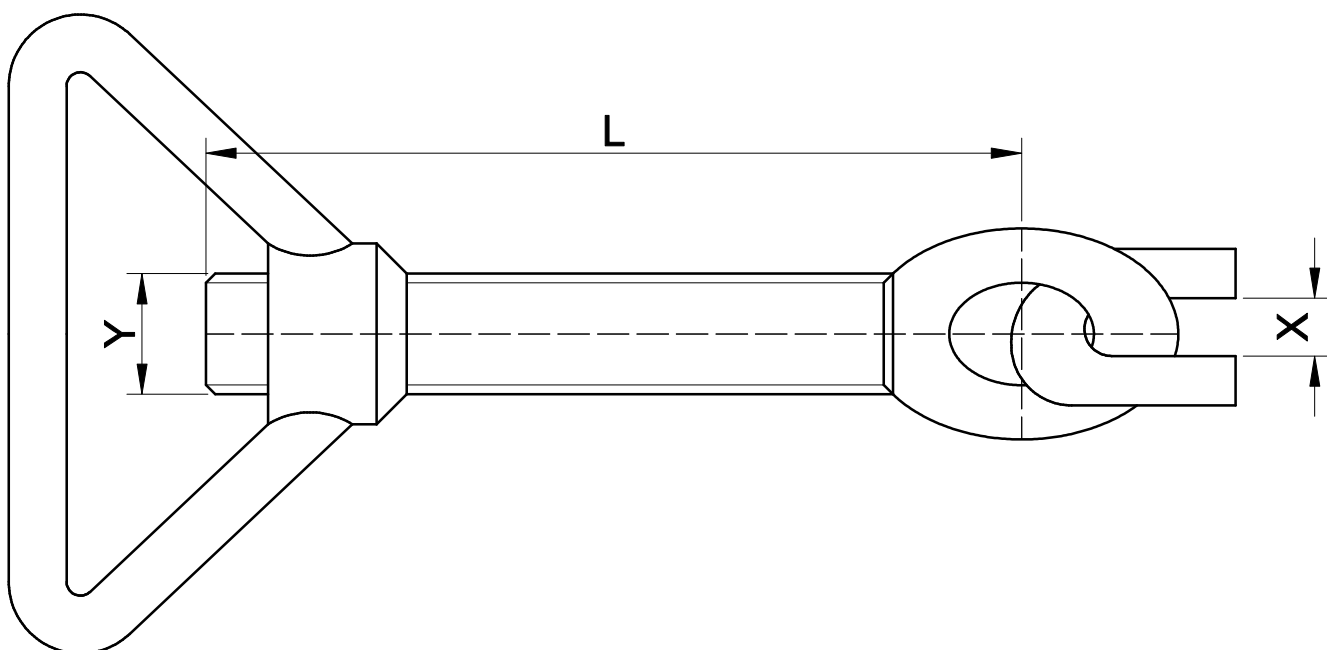


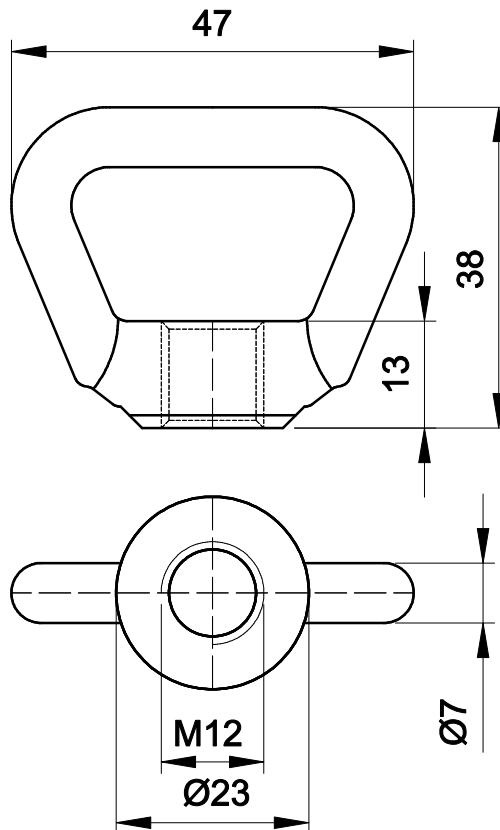
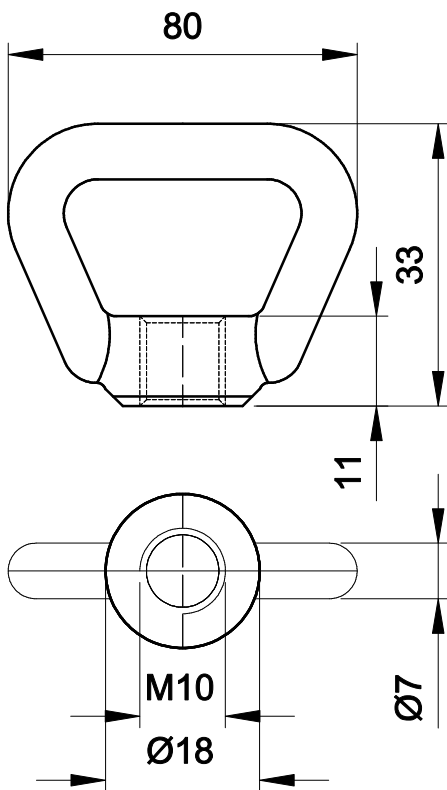
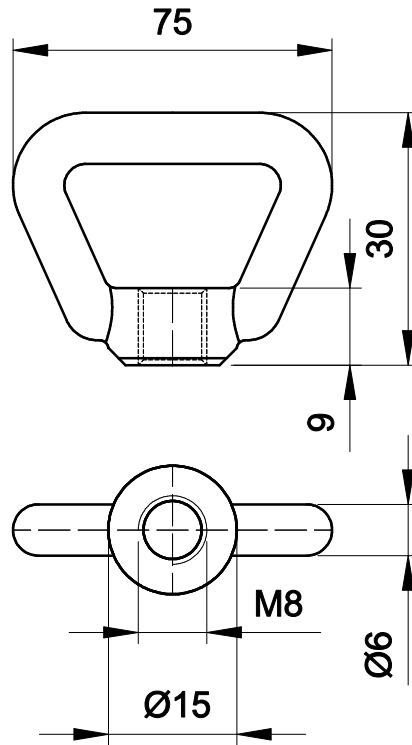
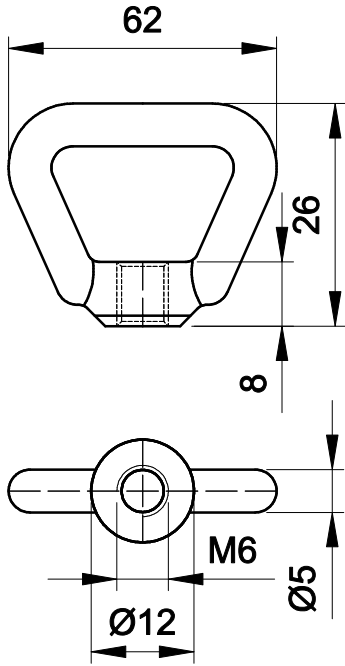


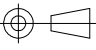
This drawing and design is protected by copyright and the information is confidential. It is also protected and registered under Dutch laws through the Dutch government department for Taxes. The drawing and/or models may not be copied, reproduced, duplicated or disclosed to others, in whole or in part without prior written consent of SEA PARTS V.O.F. / the Netherlands.

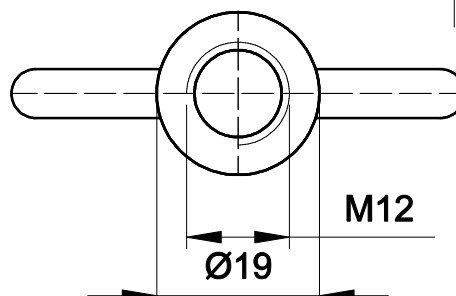
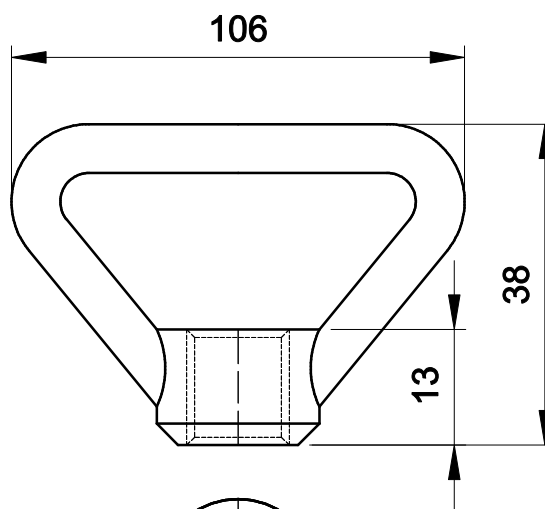
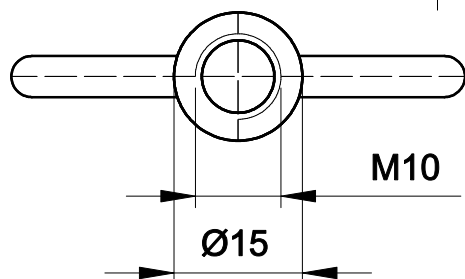
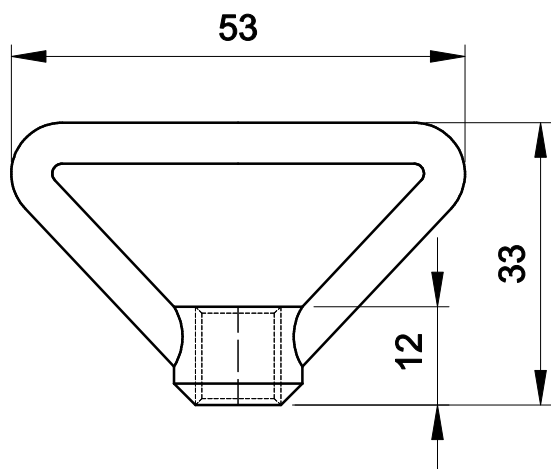
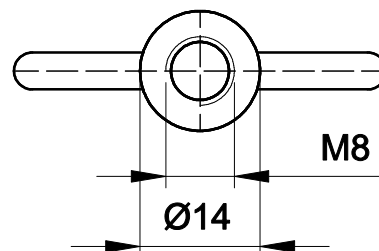
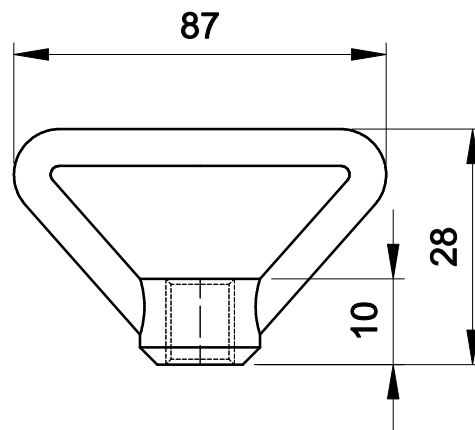
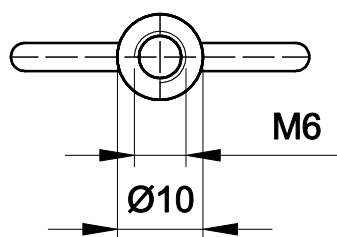
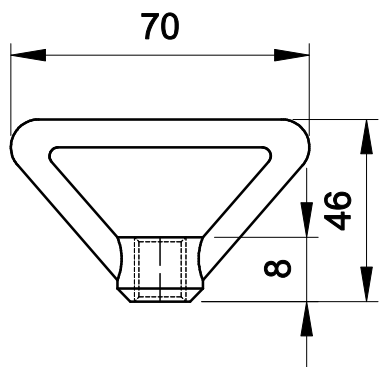




TYPE	Y	L	X	MATERIAL
FEB-SS-16	M16	150	25	STAINLESS STEEL
FEB-SS-20	M20	150	25	STAINLESS STEEL

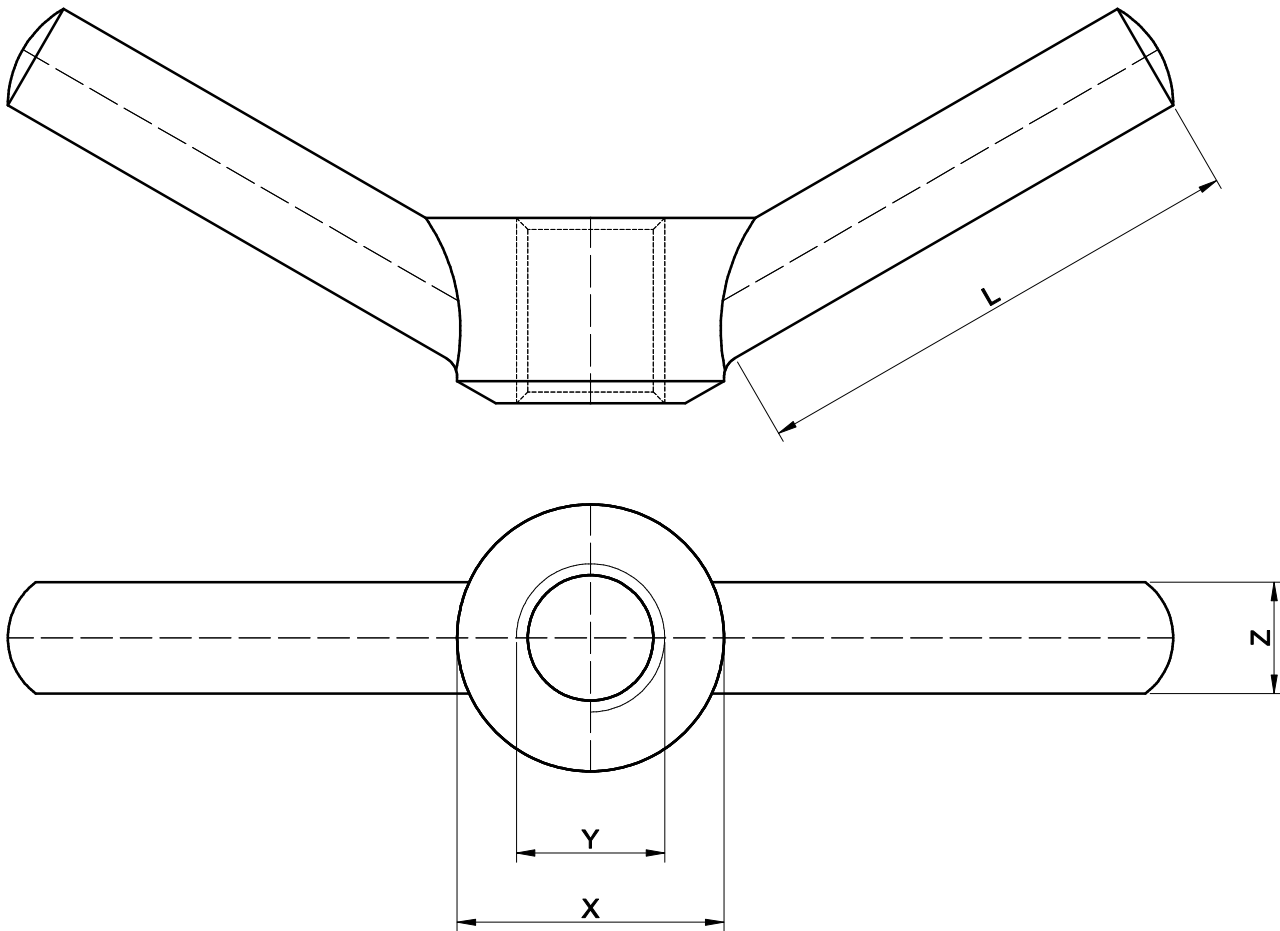
REV	DATE	Name	Material :		Tolerance : ISO 2768m	
			Drawn: EVV	Date : 05-03-2008	Checked : JDR	Date :
			Description :			 A4
SEA PARTS V.O.F. Molenraal 11 T : +31 (0) 598 361 665 W : www.seaparts.nl			9611TH Sappemeer The Netherlands F : +31 (0) 848 375 685 e: info@seaparts.nl			
						Size in mm Page : 1 / 1




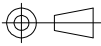
REV	DATE	Name	Material : BRASS	Tolerance : ISO 2768m	Description : TOGGLE-1 BRASS	 A4
			Drawn: P.H. Date: 11-12-2001 Checked: JDR	Date :		

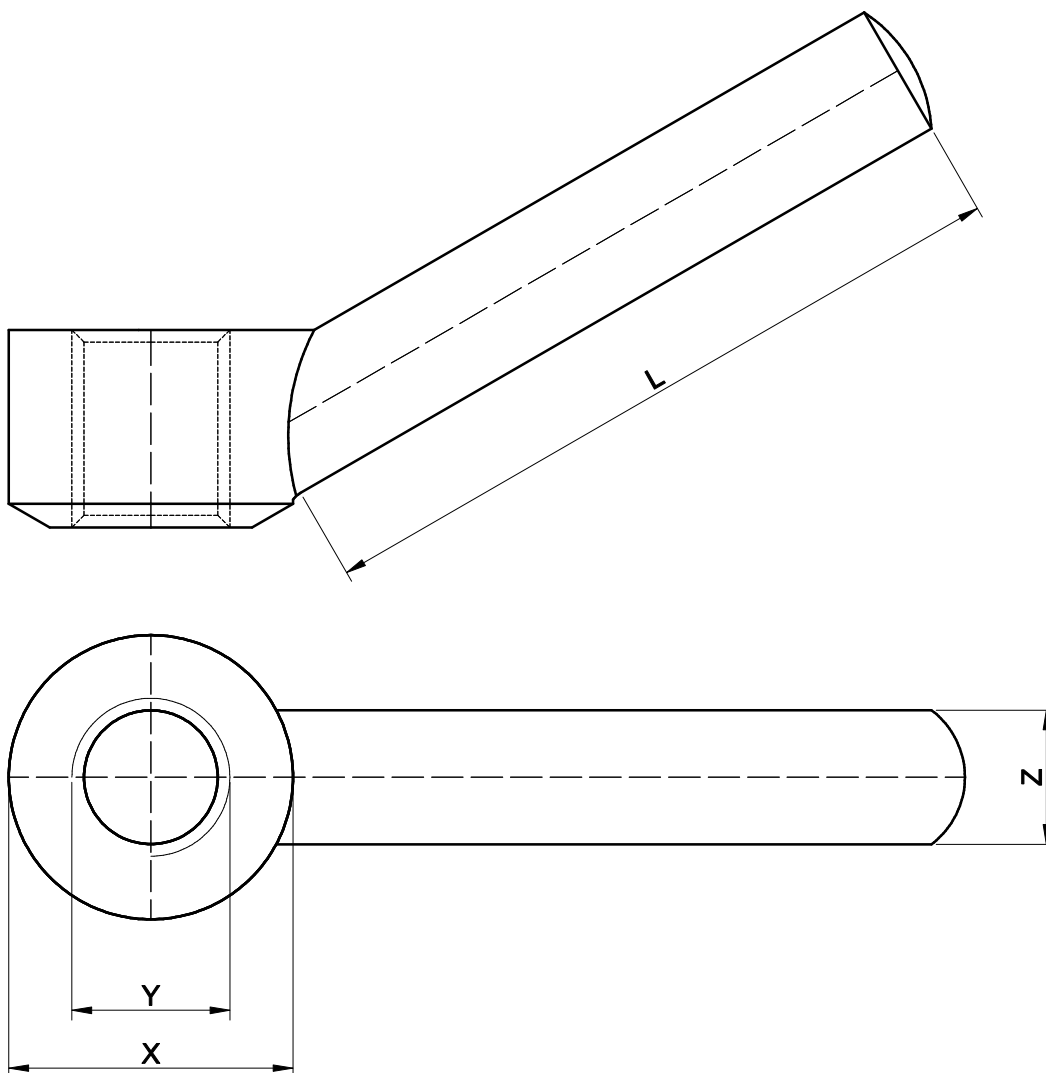


REV	DATE	Name	Material : STAINLESS-STEEL		Tolerance : ISO 2768m	
			Drawn : P.H.	Date : 11-12-2001	Checked : JDR	Date :
			Description : TOGGLE-2 STAINLESS-STEEL			 A4 Size in mm Page : 1 / 1
SEA PARTS V.O.F. Molenraai 11 T : +31 (0) 598 361 665 W : www.seaparts.nl			9611TH Sappemeer The Netherlands F : +31 (0) 848 375 685 e : info@seaparts.nl			
Drawing no : TOGGLE-2-NR-04						


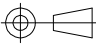


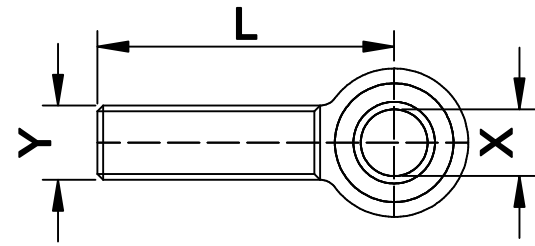
TYPE	X	Y	Z	L	MATERIAL
SS-A-II	30	M12	14	58	STAINLESS STEEL
SS-B-II	32	M16	14	64	STAINLESS STEEL
SS-C-II	36	M20	15	70	STAINLESS STEEL
SS-D-II	40	M24	16	76	STAINLESS STEEL
BR-A-II	30	M12	14	58	BRASS
BR-B-II	32	M16	14	64	BRASS
BR-C-II	36	M20	15	70	BRASS
BR-D-II	40	M24	16	76	BRASS

REV	DATE	Name	Material :		Tolerance : ISO 2768m	
			Drawn: P.H.	Date : 11-12-2001	Checked : JDR	Date :
			Description :			 A4
SEA PARTS V.O.F. Molenraal 11 T : +31 (0) 598 361 665 W : www.seaparts.nl			9611TH Sappemeer The Netherlands F : +31 (0) 848 375 685 e: info@seaparts.nl			
						Size in mm Page : 1 / 1



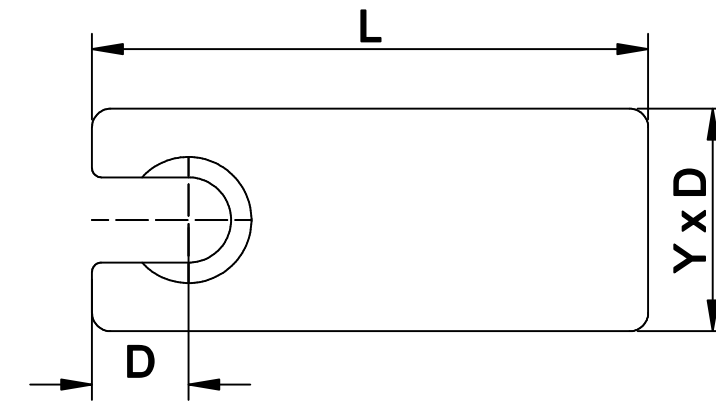
TYPE	X	Y	Z	L	MATERIAL
SS-A-I	26	M12	14	78	STAINLESS STEEL
SS-B-I	28	M16	16	86	STAINLESS STEEL
SS-C-I	36	M20	17	92	STAINLESS STEEL
SS-D-I	40	M24	18	98	STAINLESS STEEL
BR-A-I	26	M12	14	78	BRASS
BR-B-I	28	M16	16	86	BRASS
BR-C-I	36	M20	17	92	BRASS
BR-D-I	40	M24	18	98	BRASS

REV	DATE	Name	Material :		Tolerance : ISO 2768m	
			Drawn: P.H.	Date : 11-12-2001	Checked : JDR	Date :
			Description :			 A4
SEA PARTS V.O.F. Molenraal 11 T : +31 (0) 598 361 665 W : www.seaparts.nl			9611TH Sappemeer The Netherlands F : +31 (0) 848 375 685 e: info@seaparts.nl			
						Size in mm Page : 1 / 1



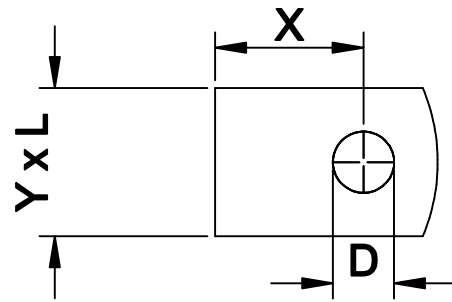
EYEBOLT

Type:	Y x L	X	Material
EB-SS-12-A	M12 x 100 mm	12mm	Stainless steel
EB-SS-16-A	M16 x 80 mm	18mm	Stainless steel
EB-SS-16-B	M16 x 120 mm	16mm	Stainless steel
EB-SS-16-C	M16 x 120 mm	18mm	Stainless steel
EB-SS-20-A	M20 x 80 mm	18mm	Stainless steel
EB-SS-20-B	M20 x 130 mm	18mm	Stainless steel
EB-SS-24-A	M24 x 130 mm	20mm	Stainless steel
EB-BR-12-A	M12 x 100 mm	12mm	Brass
EB-BR-16-A	M16 x 80 mm	18mm	Brass
EB-BR-16-B	M16 x 120 mm	16mm	Brass
EB-BR-16-C	M16 x 120 mm	18mm	Brass
EB-BR-20-A	M20 x 80 mm	18mm	Brass
EB-BR-20-B	M20 x 130 mm	18mm	Brass
EB-BR-24-A	M24 x 130 mm	20mm	Brass



FIX.PLATE

Type:	Y x D	L	D	Material
CP-ST-12	40 x 10 mm	100 mm	20 mm	Steel
CP-ST-16	50 x 12 mm	125 mm	22 mm	Steel
CP-ST-20	60 x 15 mm	150 mm	26 mm	Steel
CP-ST-24	75 x 18 mm	175 mm	30 mm	Steel
CP-SS-12	40 x 10 mm	100 mm	20 mm	Stainless steel
CP-SS-16	50 x 12 mm	125 mm	22 mm	Stainless steel
CP-SS-20	60 x 15 mm	150 mm	26 mm	Stainless steel
CP-SS-24	75 x 18 mm	175 mm	30 mm	Stainless steel
CP-AL-12	40 x 10 mm	100 mm	20 mm	Aluminium
CP-AL-16	50 x 12 mm	125 mm	22 mm	Aluminium
CP-AL-20	60 x 15 mm	150 mm	26 mm	Aluminium
CP-AL-24	75 x 18 mm	175 mm	30 mm	Aluminium



CLAMP-PLATE

Type:	Y x L	X	D	Material
FP-ST-12	30 x 6 mm	30 mm	10.5 mm	Steel
FP-ST-16	30 x 8 mm	35 mm	12.5 mm	Steel
FP-ST-20	40 x 10 mm	40 mm	16.5 mm	Steel
FP-ST-24	45 x 10 mm	43 mm	20.5 mm	Steel
FP-SS-12	30 x 6 mm	30 mm	10.5 mm	Stainless steel
FP-SS-16	30 x 8 mm	35 mm	12.5 mm	Stainless steel
FP-SS-20	40 x 10 mm	40 mm	16.5 mm	Stainless steel
FP-SS-24	45 x 10 mm	43 mm	20.5 mm	Stainless steel
FP-AL-12	30 x 6 mm	30 mm	10.5 mm	Aluminium
FP-AL-16	30 x 8 mm	35 mm	12.5 mm	Aluminium
FP-AL-20	40 x 10 mm	40 mm	16.5 mm	Aluminium
FP-AL-24	45 x 10 mm	43 mm	20.5 mm	Aluminium

REV	DATE	Name	Material :	Tolerance : ISO 2768m
			Drawn: EVV	Date : 05-03-2008
			Description :	
SEA PARTS V.O.F. Molenaar 11 T : +31 (0) 598 381 685 W : www.seaparts.nl			9811TH Sappemeer The Netherlands F : +31 (0) 848 375 685 e: info@seaparts.nl	
			EYEBOLT, FIX.PLATE, CLAMP-PLATE STAINLESS-ST, STEEL, ALUM.	
			Drawing no : EYEBOLT-NR-09	
			Size in mm Page : 1 / 1	

