

Pipe plug
 Pijpdoppen
 Brass hexagon with wings and chain, inwardly turned.
 Messing zeskant met vleugels en ketting, inwendig gedraaid.

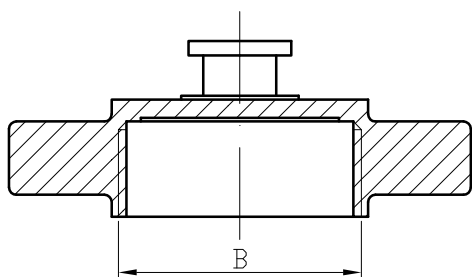
A = inward measurement gas thread
 A = inwendige maat gasdraad
 B = outward hexagon measurement in mm
 B = uitwendige zeskant maat in mm

A	B
1"	35
1 1/4"	45
1 1/2"	52
2"	65
2 1/2"	78
3"	94
4"	120

Seals
 Pakkingen
 Rubberseals for pipe plug
 Pakkingen ten behoeve van pijpdop

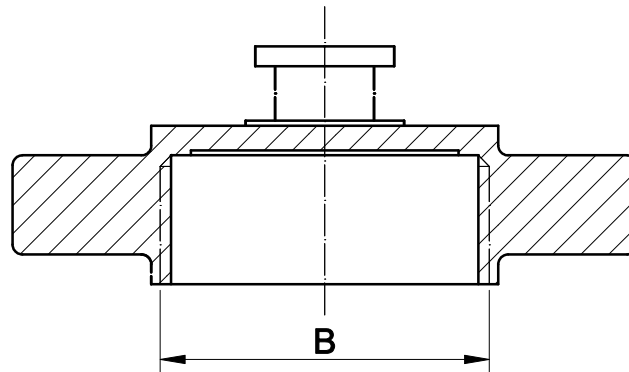
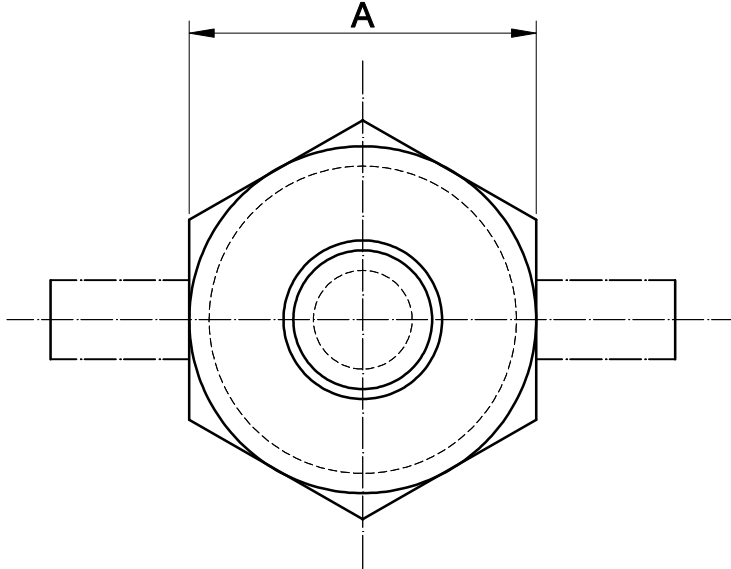
A = outward measurement
 A = uitwendige maat

A
1"
1 1/4"
1 1/2"
2"
2 1/2"
3"
4"


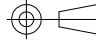


A	14-10-2002	MODIFICATIONS FOR SPEC PAGE	DESCRIPTION	Scale :	1:1	Date :		Tolerance :	DIN 7168		
				Drawn :	P.H.	15-10-2001		ISO 2768M	Drawing Size :		A4
				Checked :				File name :		Size in mm	
				REV				<p>NewTheX</p> <p>Molenraai 11 9611 TH Sappemeer T : +31 (0) 598 361 660 F : +31 (0) 598 361 661 W : www.newthex.com</p>			
Drawing no. : PD-H-100 B											

This drawing and design is protected by copyright and the information is confidential. It is also protected and registered under Dutch laws through the Dutch government department for Taxes. The drawing and/or models may not be copied, reproduced, duplicated or disclosed to others, in whole or in part without prior written consent of SEA PARTS V.O.F. / the Netherlands.



A	1"	1 1/4"	1 1/2 "	2"	2 1/2"	3"	4"
B	35	45	52	65	78	94	120

REV	DATE	Name	Material : ST37-2		Tolerance : ISO 2768m			
			Drawn: G. Mu		Date : 26-02-2004	Checked : JDR	Date :	
		 SEA PARTS V.O.F. Molenraai 11 T : +31 (0) 598 361 665 W : www.seaparts.nl	9611TH Sappemeer The Netherlands F : +31 (0) 848 375 685 e: info@seaparts.nl		Description : SOUNDING CAP BRASS HEXAGON WITH WINGS AND CHAIN			 A4
			Drawing no : PD-H-100			Size in mm Page : 1 / 1		