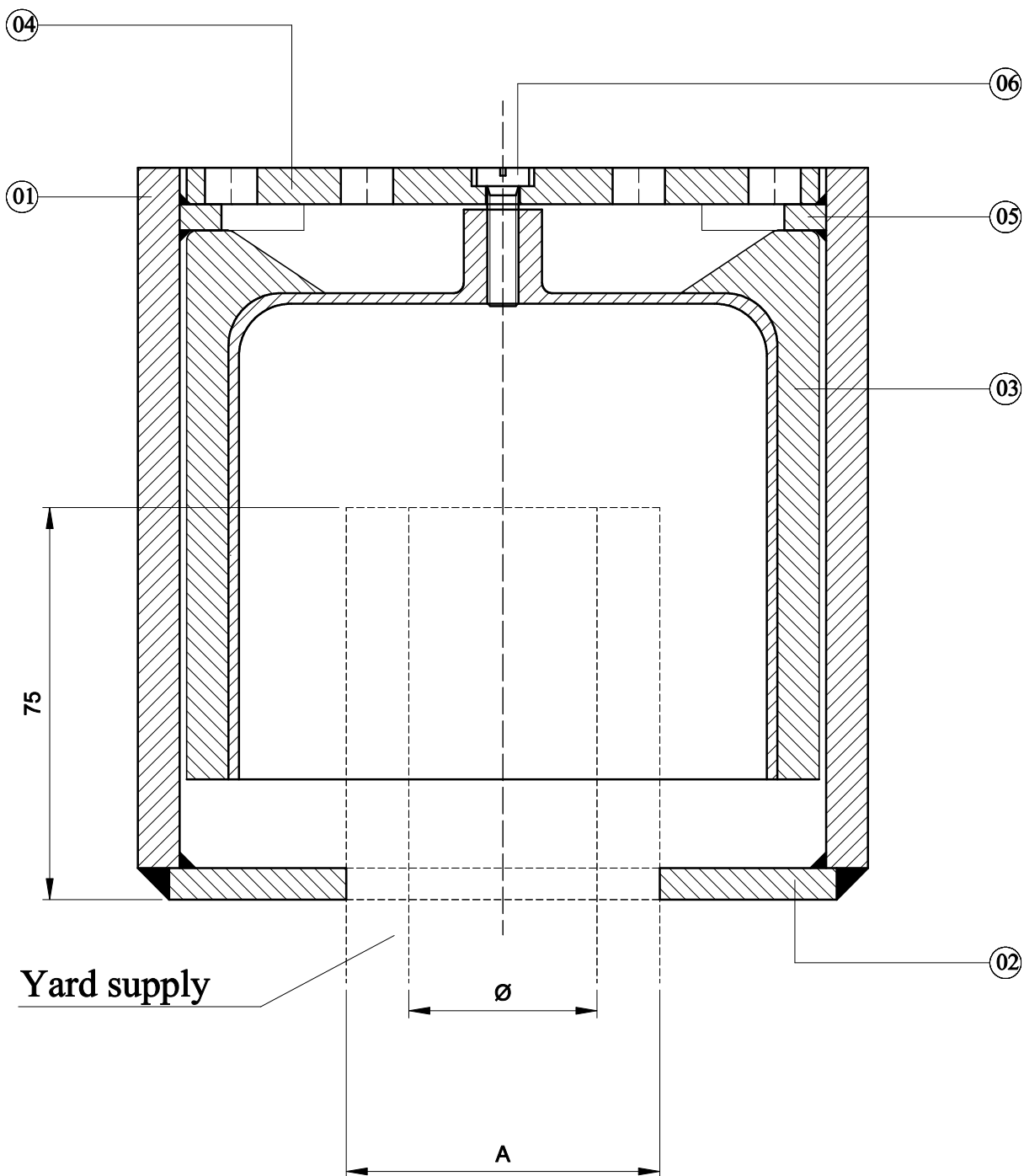




This drawing and design is protected by copyright and the information is confidential. It is also protected and registered under Dutch laws through the Dutch government department for Taxes. The drawing and/or models may not be copied, reproduced, duplicated or disclosed to others, in whole or in part without prior written consent of SEA PARTS V.O.F. / the Netherlands.

POS:	QTY :	DESCRIPTION :	SPECIFICATION:	MATERIAL :	REMARKS :
01	1	BODY	Ø139.7x8 L=140	ST.37	SP-N-110
02	1	PLATE	Ø128x6	ST.37	SP-N-110
03	1	SIPHON	Ø105x2 L=109	SYNTHETIC MAT.	SP-H-120
04	1	GRATING	Ø122x7	SYNTHETIC MAT.	SP-H-10
05	1	RING	Ø123.7x8x5	ST.37	SP-N-110
06	1	HEXAGON BOLT	M6x15 DIN 933	Steel zinc plated	

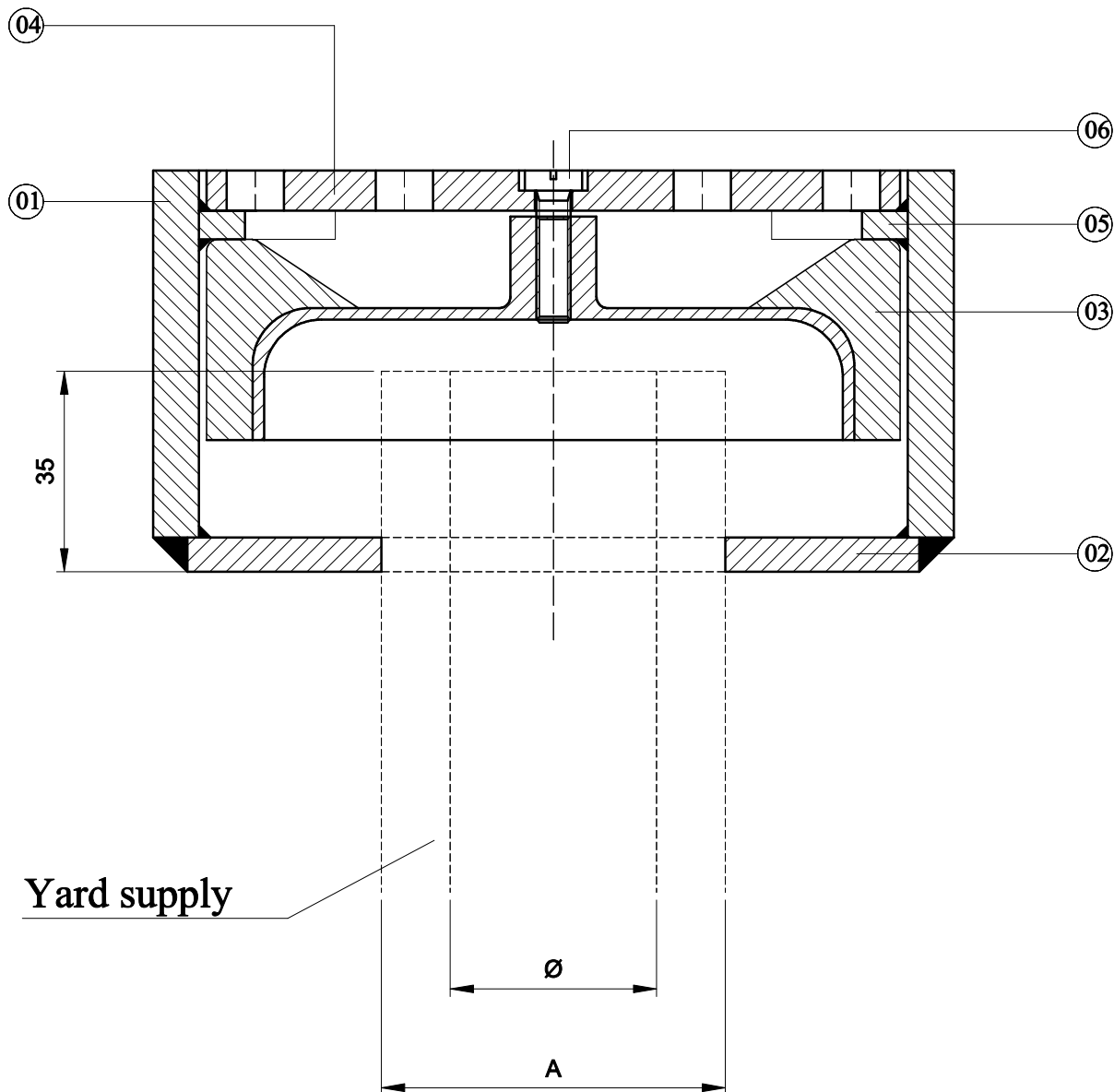


Ø	1"	1 1/4"	1 1/2 "	2"	2 1/2"	3"	
A	33.7	42.4	48.3	60.3	76.1	88.9	
KG	4.3	4.3	4.3	4.3	4.3	4.3	



REV	DATE	Name	Material :		Tolerance : ISO 2768m		
			Drawn: HdG	Date : 12-03-2010	Checked : JDR	Date :	
			Description :				
SEA PARTS V.O.F. Molenraal 11 T : +31 (0) 598 361 665 W : www.seaparts.nl			SCUPPER SIPHON TYPE 1				
9611TH Sappemeer The Netherlands F : +31 (0) 848 375 685 e : info@seaparts.nl			Drawing no : SP-N-100				

This drawing and design is protected by copyright and the information is confidential. It is also protected and registered under Dutch laws through the Dutch government department for Taxes. The drawing and/or models may not be copied, reproduced, duplicated or disclosed to others, in whole or in part without prior written consent of SEA PARTS V.O.F. / the Netherlands.

POS:	QTY :	DESCRIPTION :	SPECIFICATION:	MATERIAL :	REMARKS :
01	1	BODY	Ø139.7x8 L=70	ST.37	SP-N-210
02	1	PLATE	Ø128x6	ST.37	SP-N-210
03	1	SIPHON	Ø105x2 L=39	SYNTHETIC MAT.	SP-H-220
04	1	GRATING	Ø122x7	SYNTHETIC MAT.	SP-H-10
05	1	RING	Ø123.7x8x5	ST.37	SP-N-210
06	1	HEXAGON BOLT	M6x15 DIN 933	Steel zinc plated	



Ø	1"	1 1/4"	1 1/2 "	2"	2 1/2"	3"	
A	33.7	42.4	48.3	60.3	76.1	88.9	

REV	DATE	Name	Material :	Tolerance : ISO 2768m
			Drawn: HdG	Date : 12-03-2010
			Description :	
SEA PARTS V.O.F. Molenraal 11 T : +31 (0) 598 361 665 W : www.seaparts.nl			SCUPPER SIPHON TYPE 2	
9611TH Sappemeer The Netherlands F : +31 (0) 848 375 685 e: info@seaparts.nl			Drawing no : SP-N-200	
				
			A4 Size in mm Page : 1 / 1	