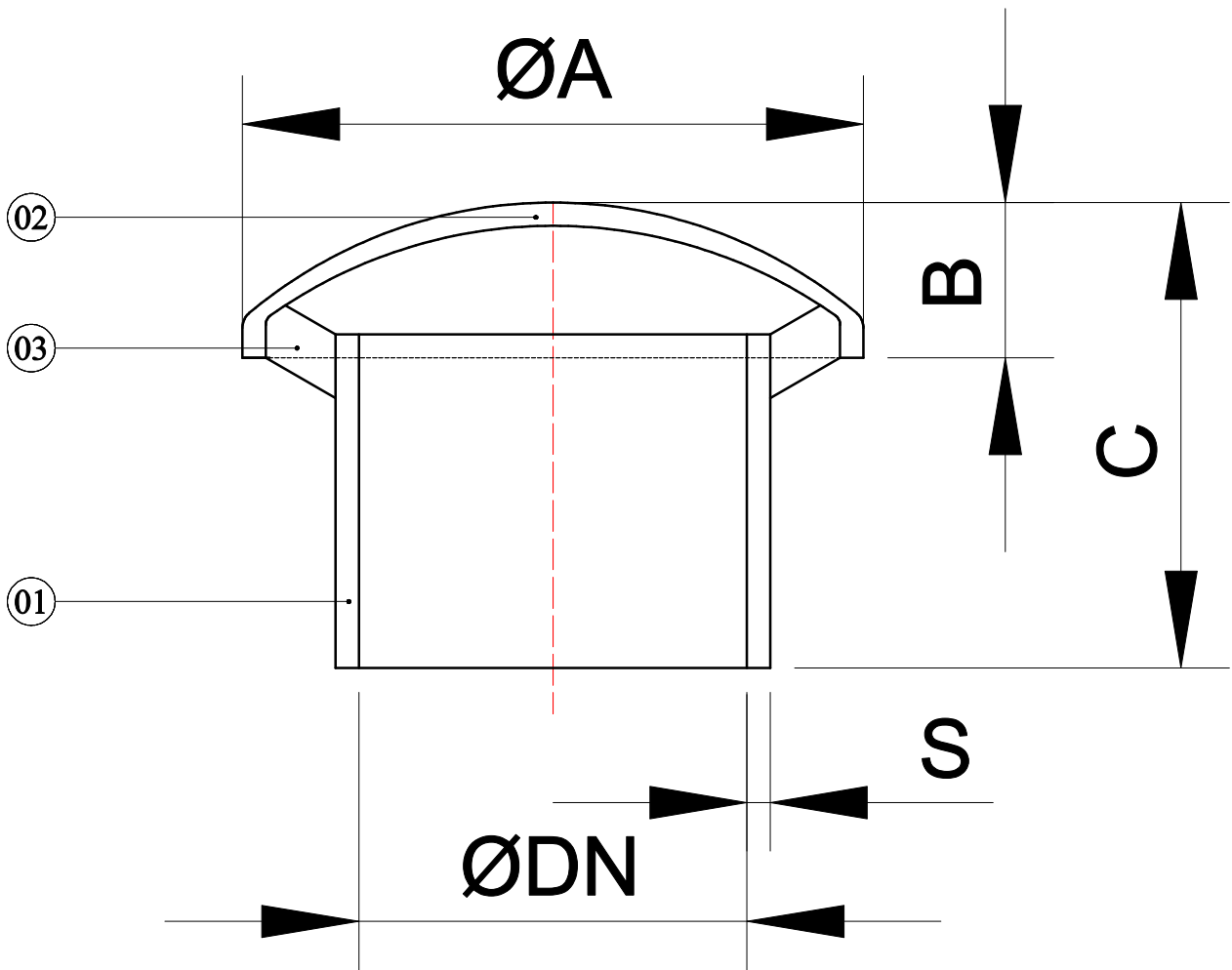


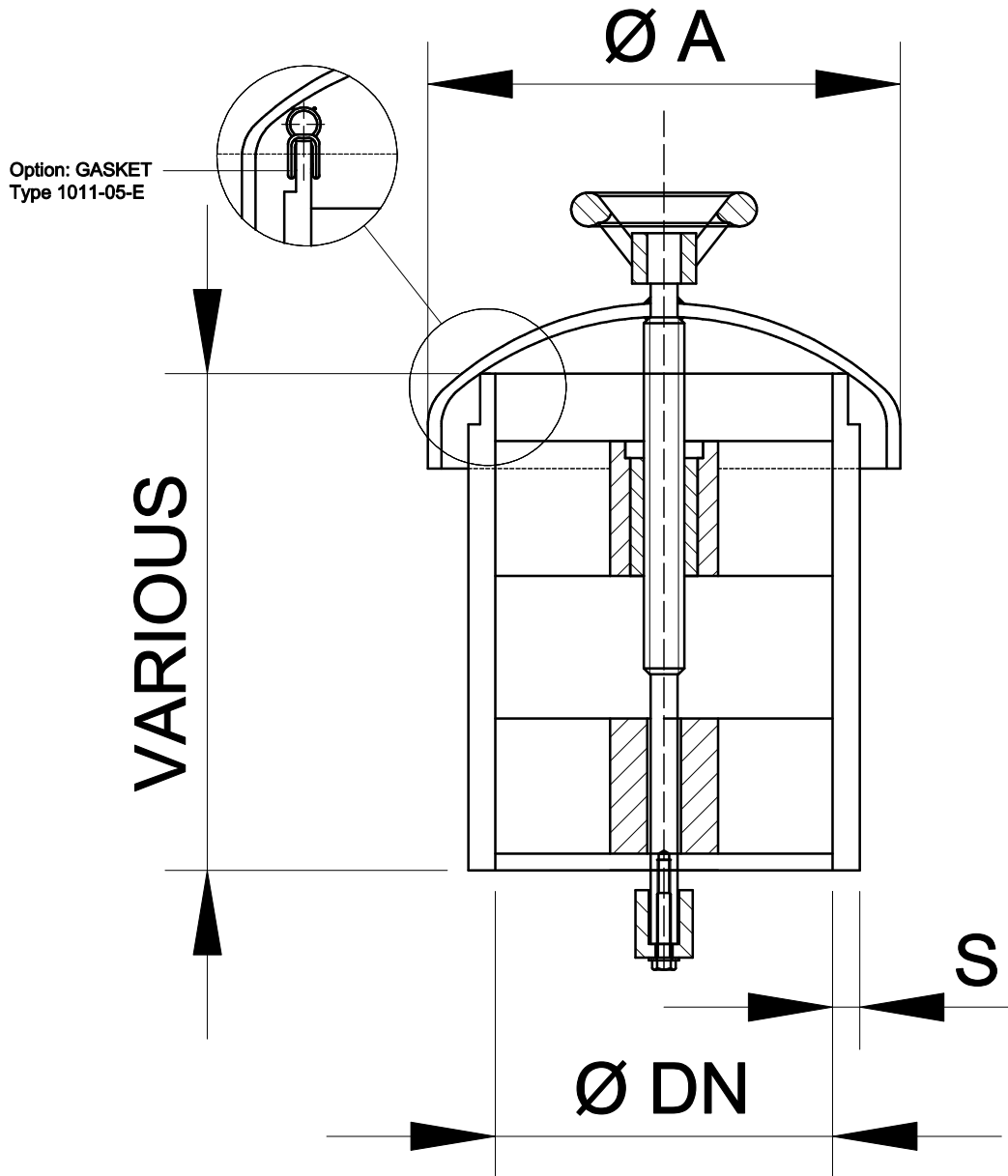
This drawing and design is protected by copyright and the information is confidential. It is also protected and registered under Dutch laws through the Dutch government department for Taxes. The drawing and/or models may not be copied, reproduced, duplicated or disclosed to others, in whole or in part without prior written consent of SEA PARTS V.O.F. / the Netherlands.

POS	QTY	DESCRIPTION	MATERIAL
1	1	COAMING	ST37-2
2	1	CAWL	ST37-2
3	3	GUSSET	ST37-2

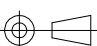


Ø DN	100	150	200	250	300	350	400	450	500	550	600	650	700	750	800
Ø A	160	240	320	400	480	560	640	720	800	880	960	1040	1120	1200	1280
B	40	60	80	100	120	140	160	180	200	220	240	260	280	300	320
C	120	180	240	300	360	420	480	540	600	660	720	780	840	900	960
S	6	6	6	6	6	6	6	8	8	8	8	8	8	8	8

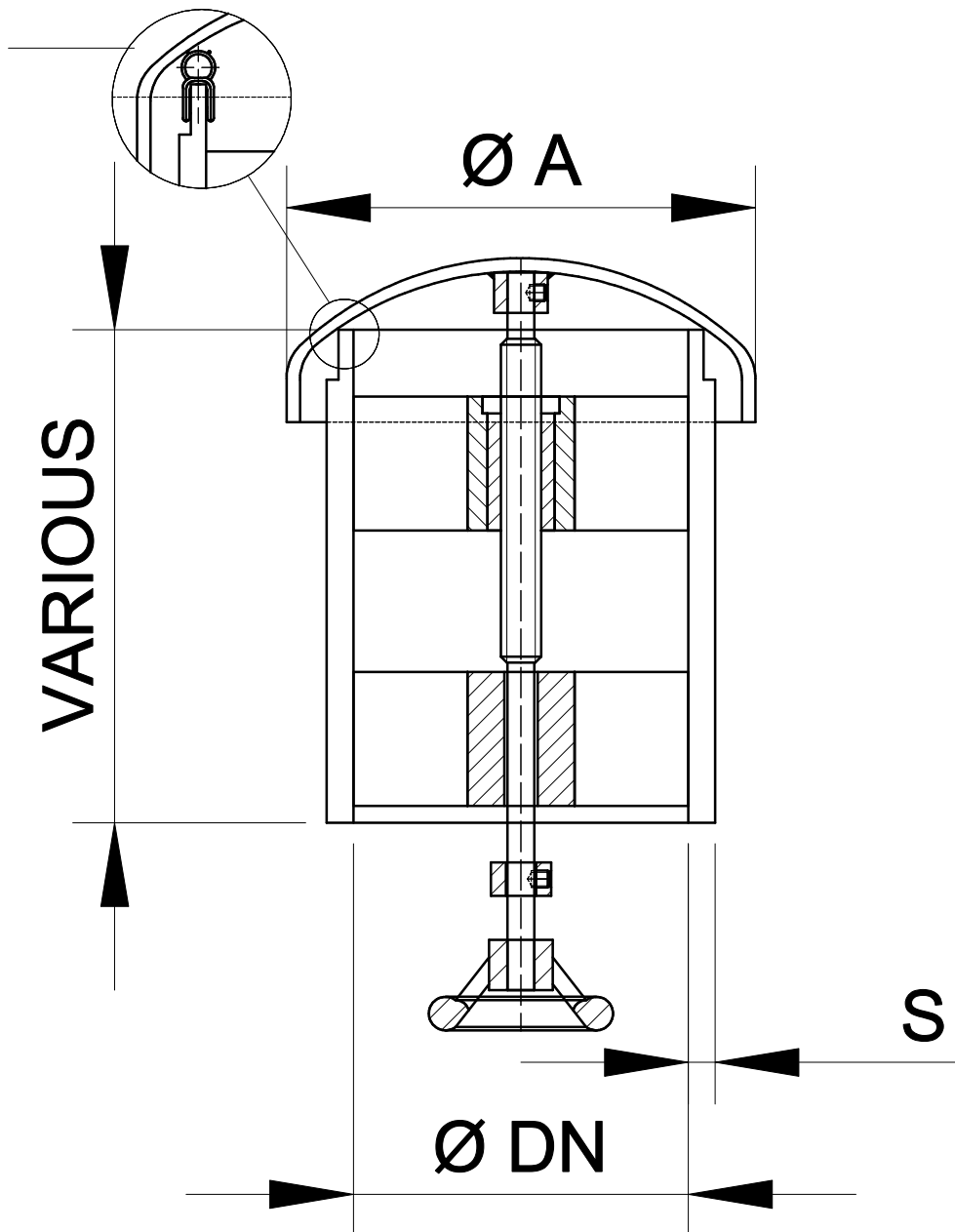
Name	Material :	Tolerance : ISO 2768m	
	Drawn: EVV Date : 05-03-2008 Checked : JDR Date :		
REV DATE	 SEA PARTS V.O.F. 9611TH Sappemeer Molenaar 11 The Netherlands T : +31 (0) 598 361 665 F : +31 (0) 848 375 685 W : www.seaparts.nl e: info@seaparts.nl	Description :	 A4
		VENTILATION COWL TYPE A	
		Drawing no : MUA-N-100	Page : 1 / 1




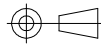
Ø DN	100	150	200	250	300	350	400
Ø A	140	140	140	350	350	350	350
S	5	5	5	8	8	8	8

Name		Tolerance : ISO 2768m	
Drawn: P.H.		Date : 23-11-2001	Checked : JDR
Date :			
REV	DATE	Description :	
		VENTILATION COWL TYPE B	
SEA PARTS V.O.F. Molenaar 11 T : +31 (0) 598 361 665 W : www.seaparts.nl		9611TH Sappemeer The Netherlands F : +31 (0) 848 375 685 e: info@seaparts.nl	
Drawing no : MUB-N-100		 A4 Size in mm Page : 1 / 1	

Option: GASKET
Type 1011-05-E



Ø DN	100	150	200	250	300	350	400
Ø A	140	140	140	350	350	350	350
S	5	5	5	8	8	8	8

REV	DATE	Name	Tolerance : ISO 2768m	
			Drawn: P.H.	Date : 23-11-2001
			Checked : JDR	Date :
			Description :	
SEA PARTS V.O.F. Molenaar 11 T : +31 (0) 598 361 665 W : www.seaparts.nl			VENTILATION COWL TYPE C	
9611TH Sappemeer The Netherlands F : +31 (0) 848 375 685 e: info@seaparts.nl			Drawing no : MUC-N-100	
				
			A4	
			Size in mm	
			Page : 1 / 1	